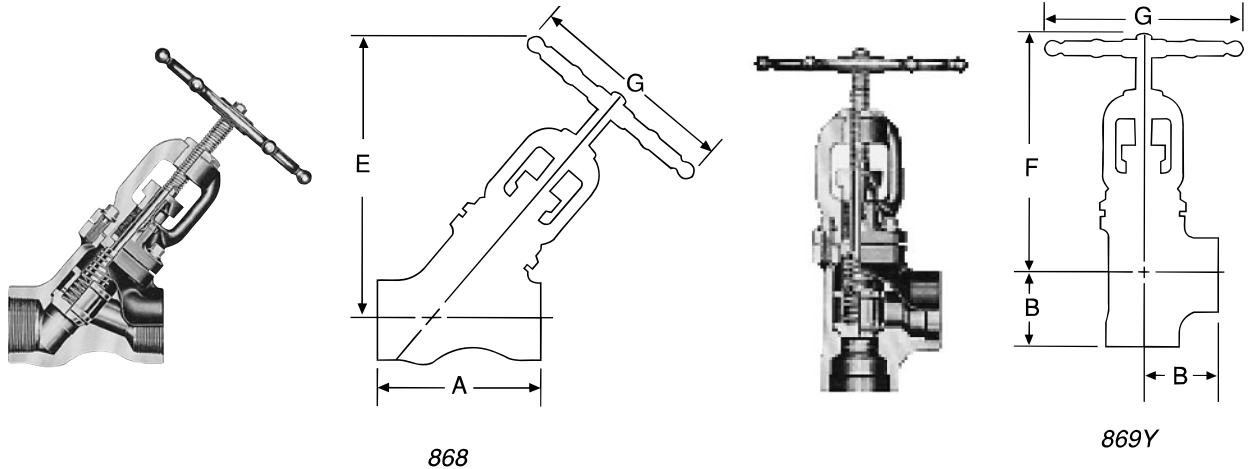


## Stop-Check Valves Class 800 2000 PSI @ 100°F (137.9 BAR @ 38°C)



### Standard Features

- Bodies and bonnets are of forged steel (A105 or F11).
- Bolted bonnet, OS & Y.
- Y-Pattern or angle design.
- Body-guided hardened stainless steel disk.
- Integral Stellite seat.
- Integral backseat.
- 13% chromium stainless steel stem.
- Asbestos-free graphitic packing.
- Asbestos-free spiral wound bonnet gasket.
- Knobbed handwheel.
- Stainless steel spring

### Pressure Class 800 (PN 130)

Fig. No.	Type	Ends	NPS (DN)
868	Y-Pattern	Threaded	¼ (8) thru 2 (50)
868Y	Y-Pattern	Socket Welding	
869	Angle	Threaded	
869Y	Angle	Socket Welding	

### Dimensions – Globe & Angle

Black numerals are in inches and pounds  
Colored numerals are in millimeters and kilograms

Figure No. 868/868Y, 869/869Y	NPS	¼	3/8	½	¾	1	1¼	1½	2
	DN	8	10	15	20	25	32	40	50
A - End to End, Globe		3	3	3	3.6	4.3	5.8	5.8	6.5
		76	76	76	91	109	147	147	165
B - Center to End, Angle		1.5	1.5	1.5	1.8	2	2.9	2.9	3.3
		38	38	38	46	51	74	74	84
E - Center to Top, Globe (Open)		6	6	6	6.8	7.6	10.9	10.9	12.1
		152	152	152	173	193	277	277	307
F - Center to Top, Angle (Open)		5.7	5.7	5.7	6.4	7.1	10.2	10.2	11
		145	145	145	163	180	259	259	279
G - Handwheel Diameter		3.8	3.8	3.8	4.3	4.8	7.1	7.1	8.5
		97	97	97	109	122	180	180	216
Weight, Globe		4	4	4	5.5	7.5	16	16	23
		1.8	1.8	1.8	2.5	3.4	7.2	7.2	10.4
Weight, Angle		4	4	4	5.5	7	17	17	24
		1.8	1.8	1.8	2.5	3.2	7.7	7.7	10.8